

Harvey Cement Products, Inc.

Since 1947

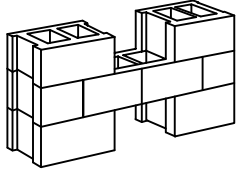
16030 Park Avenue, Harvey, IL 60426

Ph: 708.333.1900 F: 708.333.1910

www.harveycement.com

SavannaStone[®] Standard Profiles

Currently Available



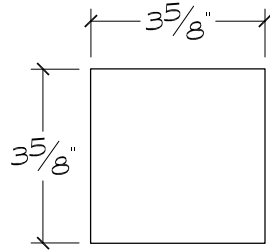
Harvey Cement Products, Inc.

Since 1947

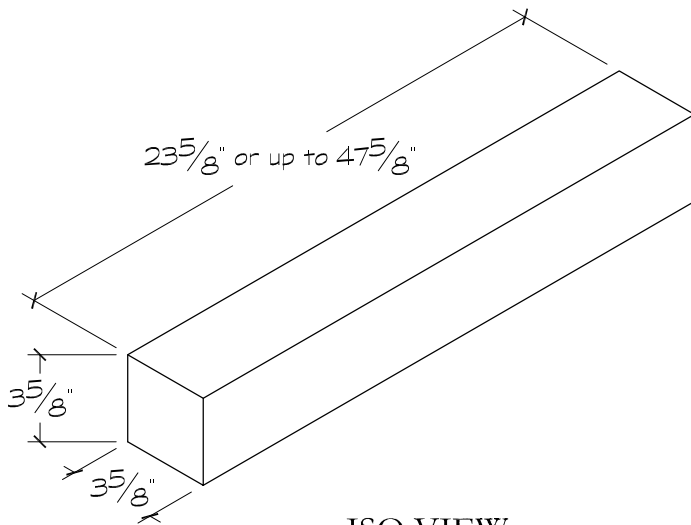
16030 Park Avenue, Harvey, IL 60426

Ph: 708.333.1900 F: 708.333.1910

www.harveycement.com



PROFILE



ISO VIEW

Profile ID

4424-S

SUGGESTED USE

Sill	
Transition Band	
Coping	
Cap	
Field	
Band	X
Cornice	

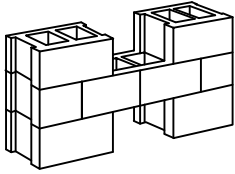
TYPE / SIZE
AVAILABILITY

TYPE	LENGTH(S)
Straight Standard	23 5/8"
Straight available up to 47 5/8"	

FINISH

Smooth

SavannaStone®



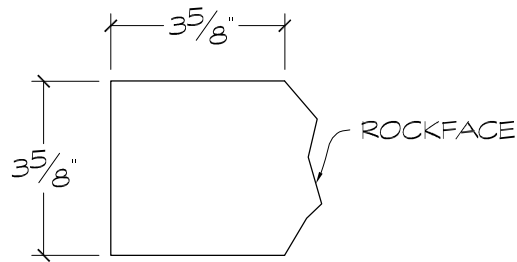
Harvey Cement Products, Inc.

Since 1947

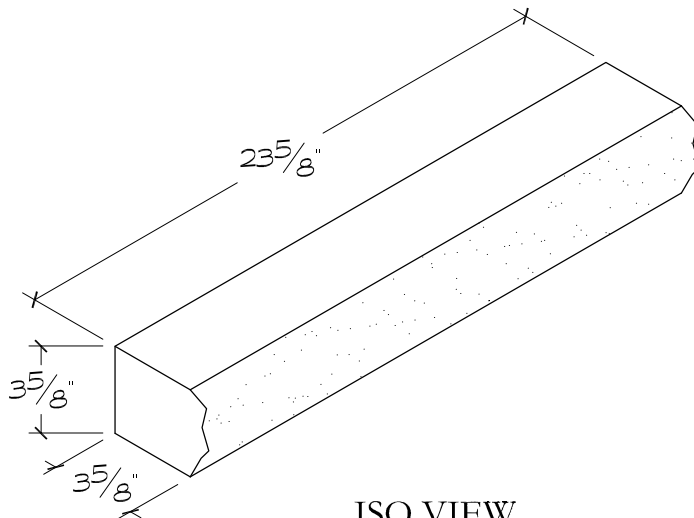
16030 Park Avenue, Harvey, IL 60426

Ph: 708.333.1900 F: 708.333.1910

www.harveycement.com



PROFILE



ISO VIEW

Profile ID

4424-RF

SUGGESTED USE

Sill	
Transition Band	
Coping	
Cap	
Field	
Band	X
Cornice	

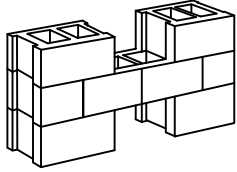
TYPE / SIZE
AVAILABILITY

TYPE	LENGTH(S)
Straight	23 5/8"

FINISH

Rockface

SavannaStone®



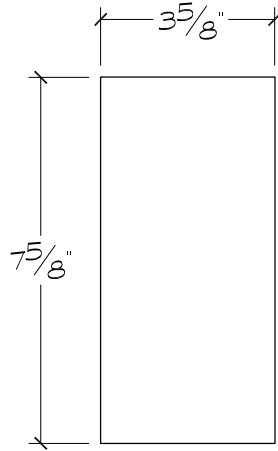
Harvey Cement Products, Inc.

Since 1947

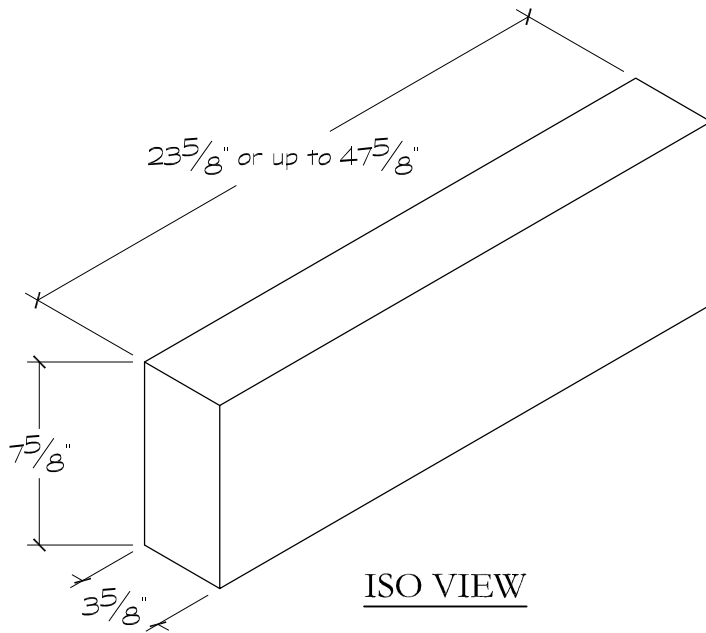
16030 Park Avenue, Harvey, IL 60426

Ph: 708.333.1900 F: 708.333.1910

www.harveycement.com



PROFILE



ISO VIEW

Profile ID

4824-S

SUGGESTED USE

Sill	
Transition Band	
Coping	
Cap	
Field	X
Band	X
Cornice	
Header	X

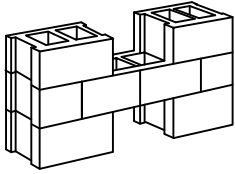
TYPE / SIZE
AVAILABILITY

TYPE	LENGTH(S)
Straight Standard	23 5/8"
Straight available up to 47 5/8"	

FINISH

Smooth

SavannaStone®



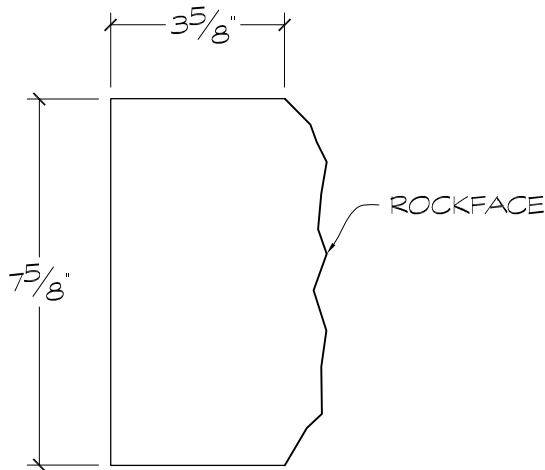
Harvey Cement Products, Inc.

Since 1947

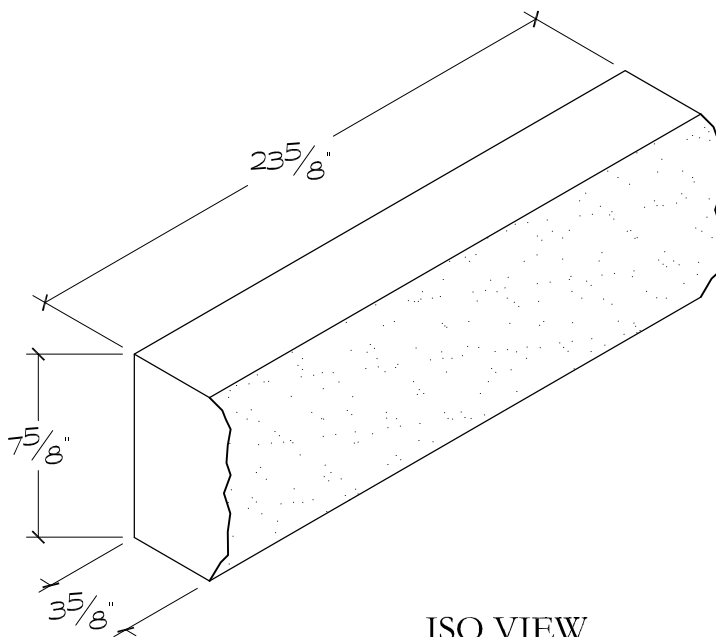
16030 Park Avenue, Harvey, IL 60426

Ph: 708.333.1900 F: 708.333.1910

www.harveycement.com



PROFILE



ISO VIEW

Profile ID

4824-RF

SUGGESTED USE

Sill	
Transition Band	
Coping	
Cap	
Field	X
Band	X
Cornice	

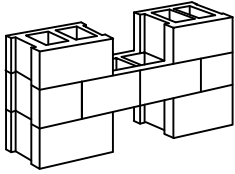
TYPE / SIZE
AVAILABILITY

TYPE	LENGTH(S)
Straight	23 5/8"

FINISH

Rockface

SavannaStone®



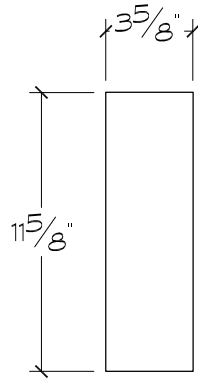
Harvey Cement Products, Inc.

Since 1947

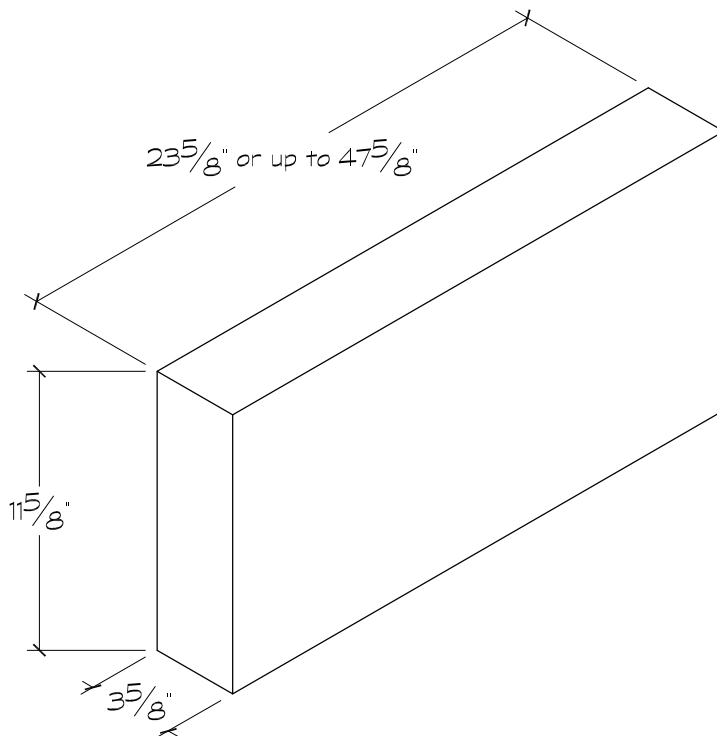
16030 Park Avenue, Harvey, IL 60426

Ph: 708.333.1900 F: 708.333.1910

www.harveycement.com



PROFILE



ISO VIEW

Profile ID

41224-S

SUGGESTED USE

Sill	
Transition Band	
Coping	
Cap	
Field	X
Band	X
Cornice	
Header	X

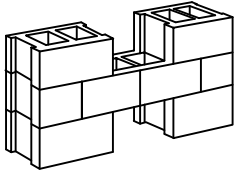
**TYPE / SIZE
AVAILABILITY**

TYPE	LENGTH(S)
Straight Standard	23 5/8"
Straight available up to 47 5/8"	

FINISH

Smooth

SavannaStone®



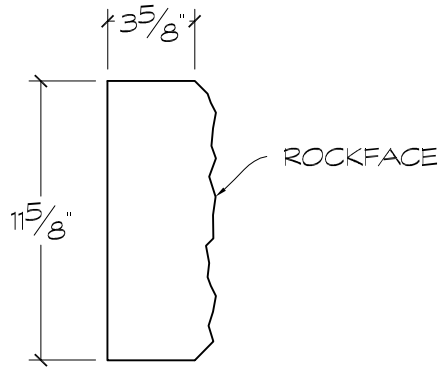
Harvey Cement Products, Inc.

Since 1947

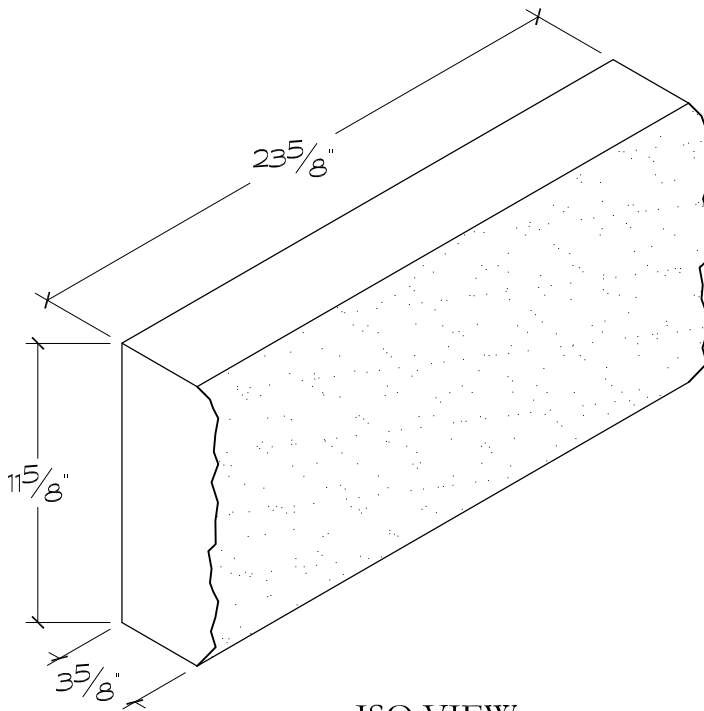
16030 Park Avenue, Harvey, IL 60426

Ph: 708.333.1900 F: 708.333.1910

www.harveycement.com



PROFILE



ISO VIEW

Profile ID

41224-RF

SUGGESTED USE

Sill	
Transition Band	
Coping	
Cap	
Field	X
Band	X
Cornice	

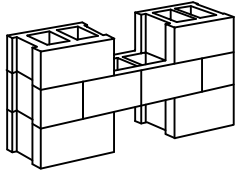
TYPE / SIZE
AVAILABILITY

TYPE	LENGTH(S)
Straight	23 5/8"

FINISH

Rockface

SavannaStone®



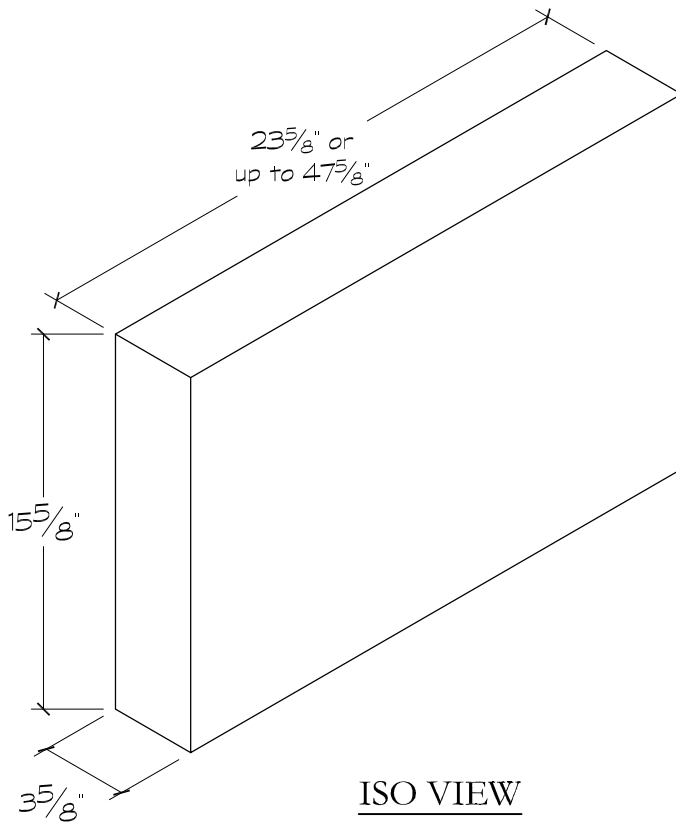
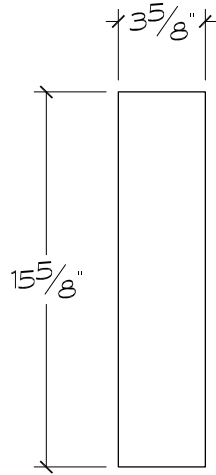
Harvey Cement Products, Inc.

Since 1947

16030 Park Avenue, Harvey, IL 60426

Ph: 708.333.1900 F: 708.333.1910

www.harveycement.com



ISO VIEW

Profile ID

41624-S

SUGGESTED USE

Sill	
Transition Band	
Coping	
Cap	
Field	X
Band	X
Cornice	
Header	X

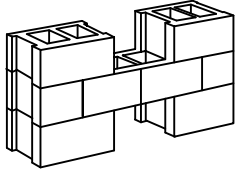
TYPE / SIZE
AVAILABILITY

TYPE	LENGTH(S)
Straight Standard	23 5/8"
Straight available up to 47 5/8"	

FINISH

Smooth

SavannaStone



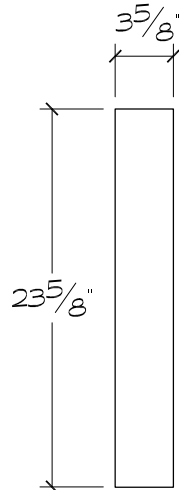
Harvey Cement Products, Inc.

Since 1947

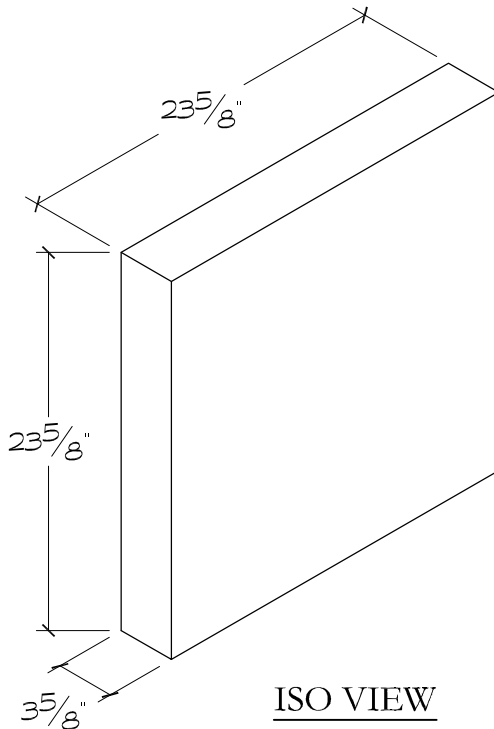
16030 Park Avenue, Harvey, IL 60426

Ph: 708.333.1900 F: 708.333.1910

www.harveycement.com



PROFILE



ISO VIEW

Profile ID

42424-S

SUGGESTED USE

Sill	
Transition Band	
Coping	
Cap	
Field	X
Band	X
Cornice	

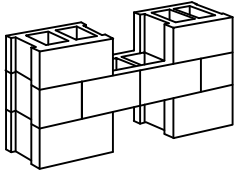
TYPE / SIZE
AVAILABILITY

TYPE	LENGTH(S)
Straight	23 5/8"

FINISH

Smooth

SavannaStone[®]



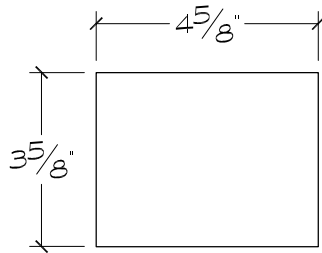
Harvey Cement Products, Inc.

Since 1947

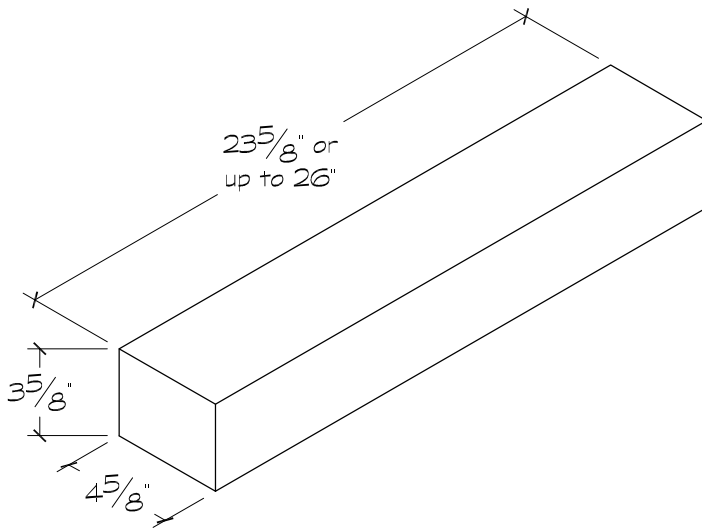
16030 Park Avenue, Harvey, IL 60426

Ph: 708.333.1900 F: 708.333.1910

www.harveycement.com



PROFILE



ISO VIEW

Profile ID

5424-S

SUGGESTED USE

Sill	
Transition Band	
Coping	
Cap	
Field	
Band	X
Cornice	

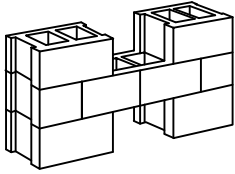
TYPE / SIZE
AVAILABILITY

TYPE	LENGTH(S)
Straight Standard	23 5/8"
Straight available up to 26"	

FINISH

Smooth

SavannaStone[®]



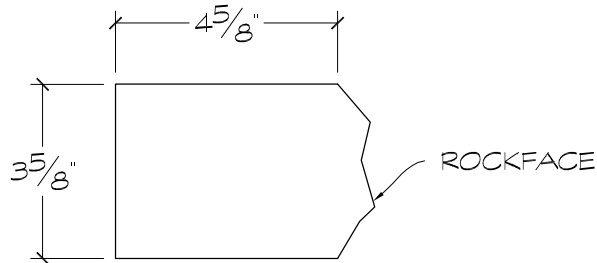
Harvey Cement Products, Inc.

Since 1947

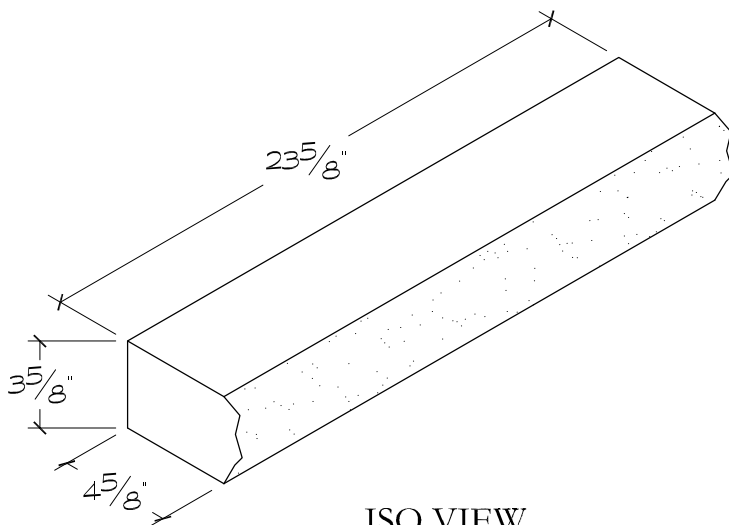
16030 Park Avenue, Harvey, IL 60426

Ph: 708.333.1900 F: 708.333.1910

www.harveycement.com



PROFILE



ISO VIEW

Profile ID

5424-RF

SUGGESTED USE

Sill	
Transition Band	
Coping	
Cap	
Field	
Band	X
Cornice	

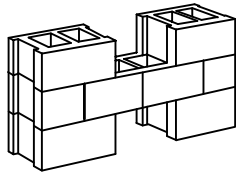
TYPE / SIZE
AVAILABILITY

TYPE	LENGTH(S)
Straight	23 5/8"

FINISH

Rockface

SavannaStone®



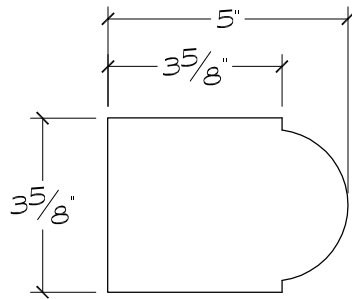
Harvey Cement Products, Inc.

Since 1947

16030 Park Avenue, Harvey, IL 60426

Ph: 708.333.1900 F: 708.333.1910

www.harveycement.com



PROFILE

Profile ID

6424BN

SUGGESTED USE

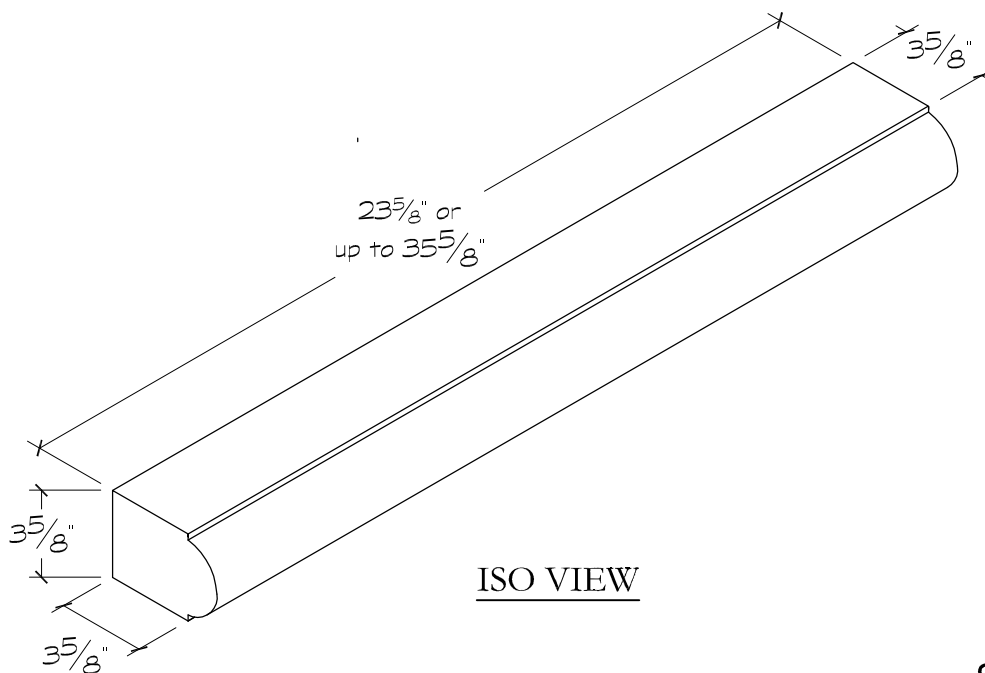
Sill	
Transition Band	
Field	
Cornice	

TYPE / SIZE
AVAILABILITY

TYPE	LENGTH(S)
Straight	23 ⁵ / ₈ "
Straight	up to 35 ⁵ / ₈ "

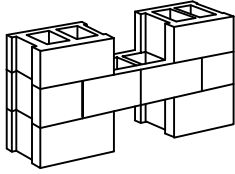
FINISH

Smooth



ISO VIEW

SavannaStone



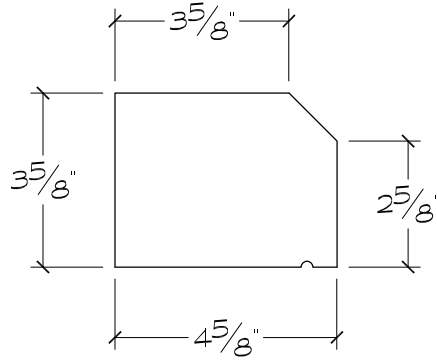
Harvey Cement Products, Inc.

Since 1947

16030 Park Avenue, Harvey, IL 60426

Ph: 708.333.1900 F: 708.333.1910

www.harveycement.com



PROFILE

INVERT TO USE AS CORNICE

Profile ID

162

SUGGESTED USE

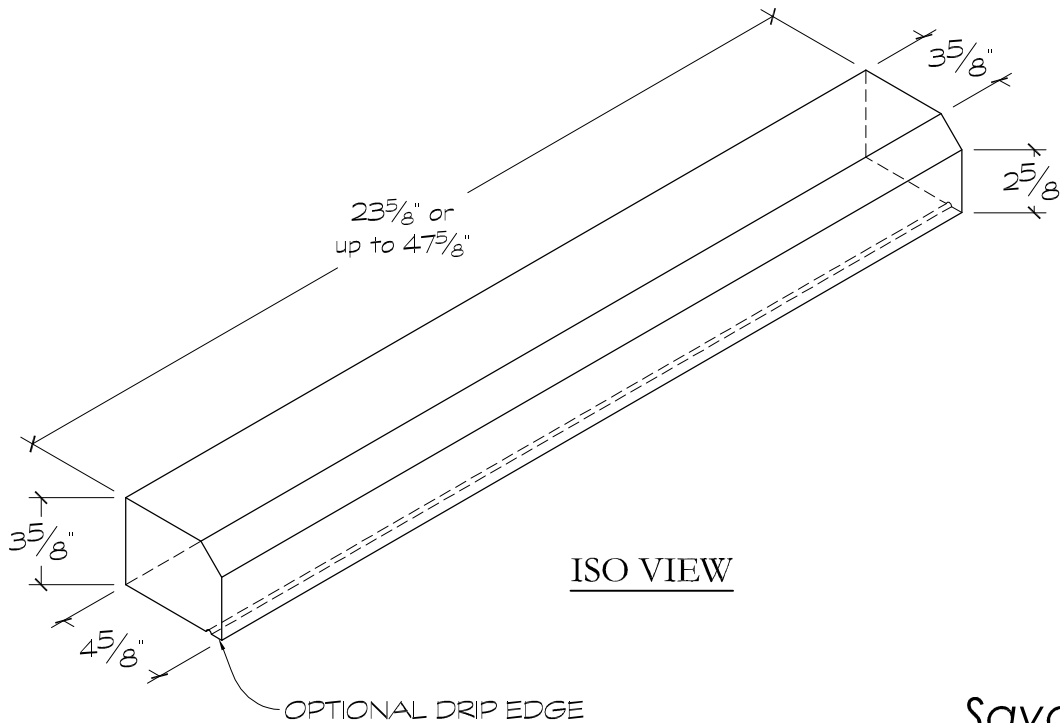
Sill	×
Transition Band	
Cap	
Field	
Band	×
Cornice	×

TYPE / SIZE
AVAILABILITY

TYPE	LENGTH(S)
Straight Standard	23 5/8"
Straight available up to 47 5/8"	

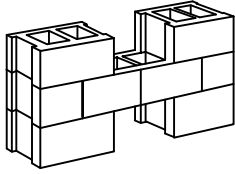
FINISH

Smooth



ISO VIEW

SavannaStone®



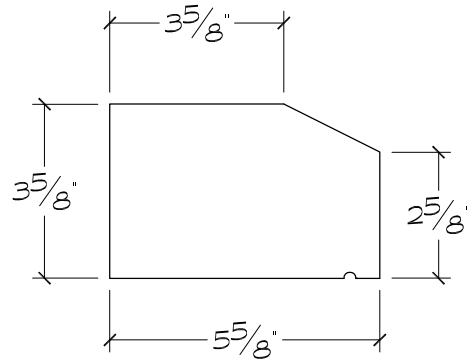
Harvey Cement Products, Inc.

Since 1947

16030 Park Avenue, Harvey, IL 60426

Ph: 708.333.1900 F: 708.333.1910

www.harveycement.com



PROFILE

INVERT TO USE AS CORNICE

Profile ID

1547

SUGGESTED USE

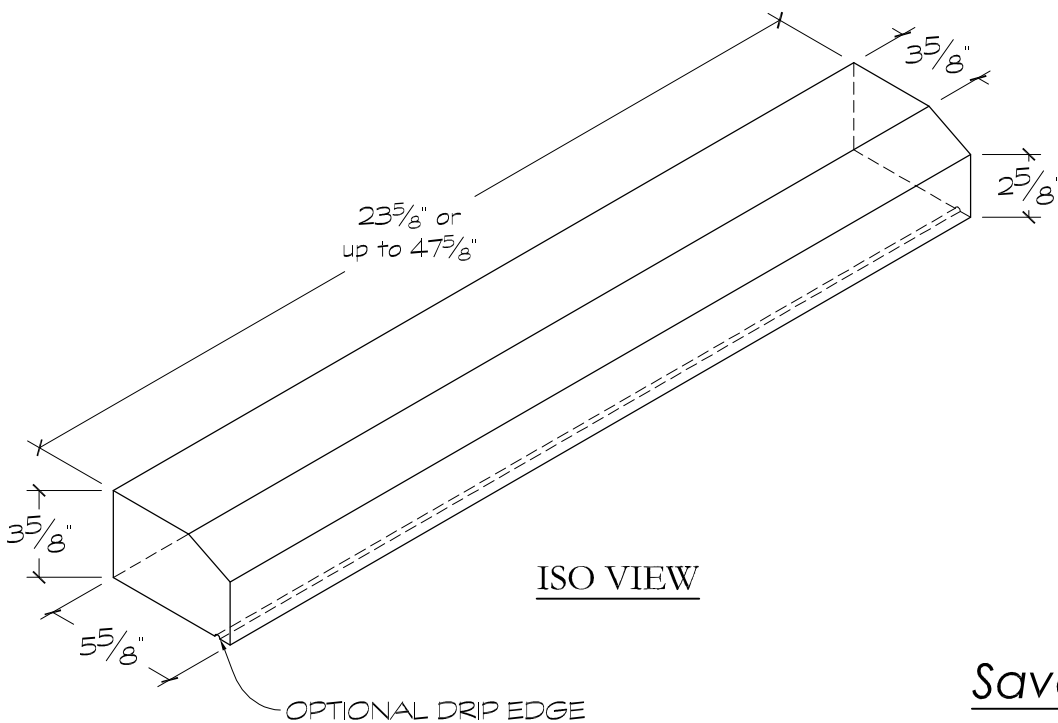
Sill	×
Transition Band	×
Cap	
Field	
Band	×
Cornice	×

TYPE / SIZE
AVAILABILITY

TYPE	LENGTH(S)
Straight Standard	23 5/8"
Straight available up to 47 5/8"	

FINISH

Smooth



ISO VIEW

SavannaStone®